

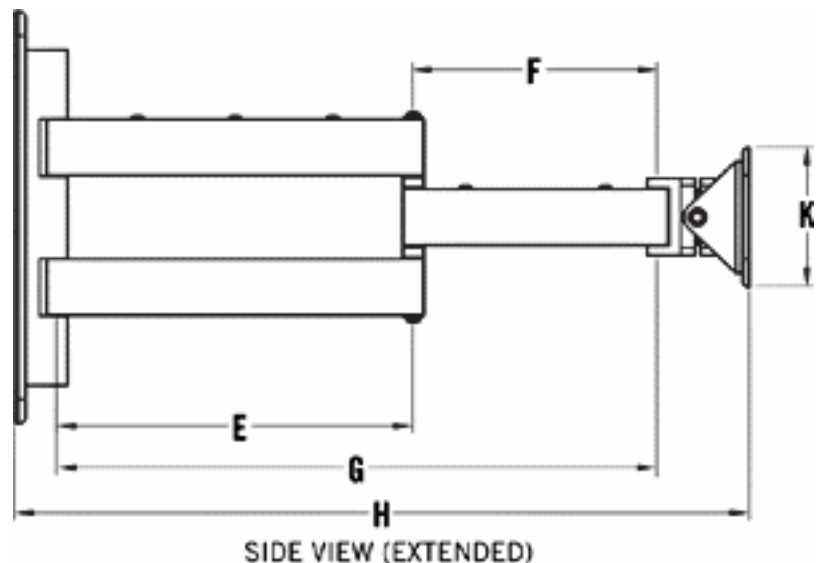
The ProMounts cantilever mounts are stunning pieces of engineering, and are the most flexible mounts for flat panel displays. The cantilever mounts offer maximum adjustability, including horizontal extension, 180° of lateral rotation, as well as full swivel and tilt capabilities. More than just mounting hardware, these cantilever mounts have a tactile quality that enhances the high technology aspects of any flat panel installation.

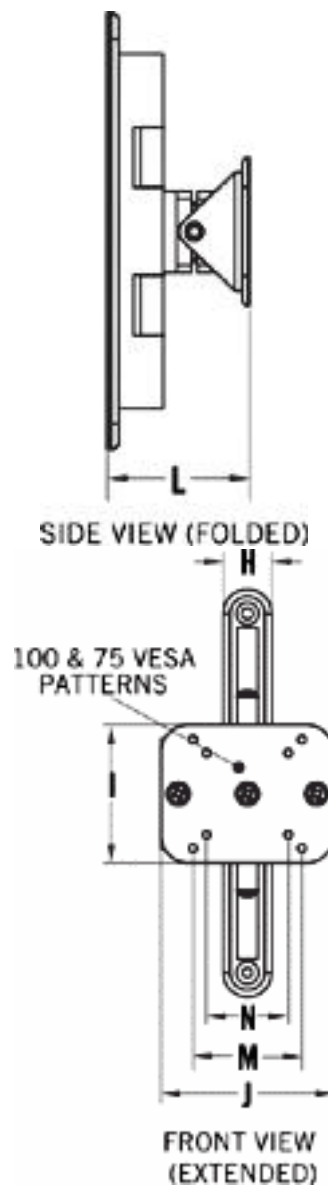


KEY FEATURES:

- 80 lb. maximum weight capacity
- VESA 75/100 compliant
- Cantilever arm mount for large LCD and small plasma panels
- Allows maximum flexibility for installing and viewing displays
- Cantilever arm provides full extension and 180° of lateral rotation for viewing from multiple locations
- Nesting arm design allows display to be folded parallel to wall
- Provides full tilt and swivel capabilities for optimum viewing
- Durable grey powder coat finish
- Single stud mounting

IMAGES





DIMENSIONS

A	1.75"	44.45 mm
B	14.75"	374.65 mm
C	14.50"	368.30 mm
D	7.00"	177.80 mm
E	13.50"	342.90 mm
F	8.75"	222.25 mm
G	21.52"	546.61 mm
H	26.87"	682.50 mm
I	4.00"	101.60 mm
J	6.00"	152.40 mm
K	4.75"	120.65 mm
L	3.75"	95.25 mm
M	3.94"	100.08 mm
N	2.95"	74.93 mm

HARDWARE KIT

Qty	Description
2	Lag screws 5/16 x 3/8"
2	Washers 5/16ID x 11/16OD
4	Phillips screws M4 x 8mm
4	Phillips screws M5 x 8mm
4	Phillips screws M4 x 12mm
4	Phillips screws M5 x 12mm
4	Phillips machine screws 1/4-20 x 1/2
1	Allen wrench 3/16 x 4 3/8
1	Allen wrench 5/32 x 4 3/8
1	Allen wrench 7/32 x 4 3/8

